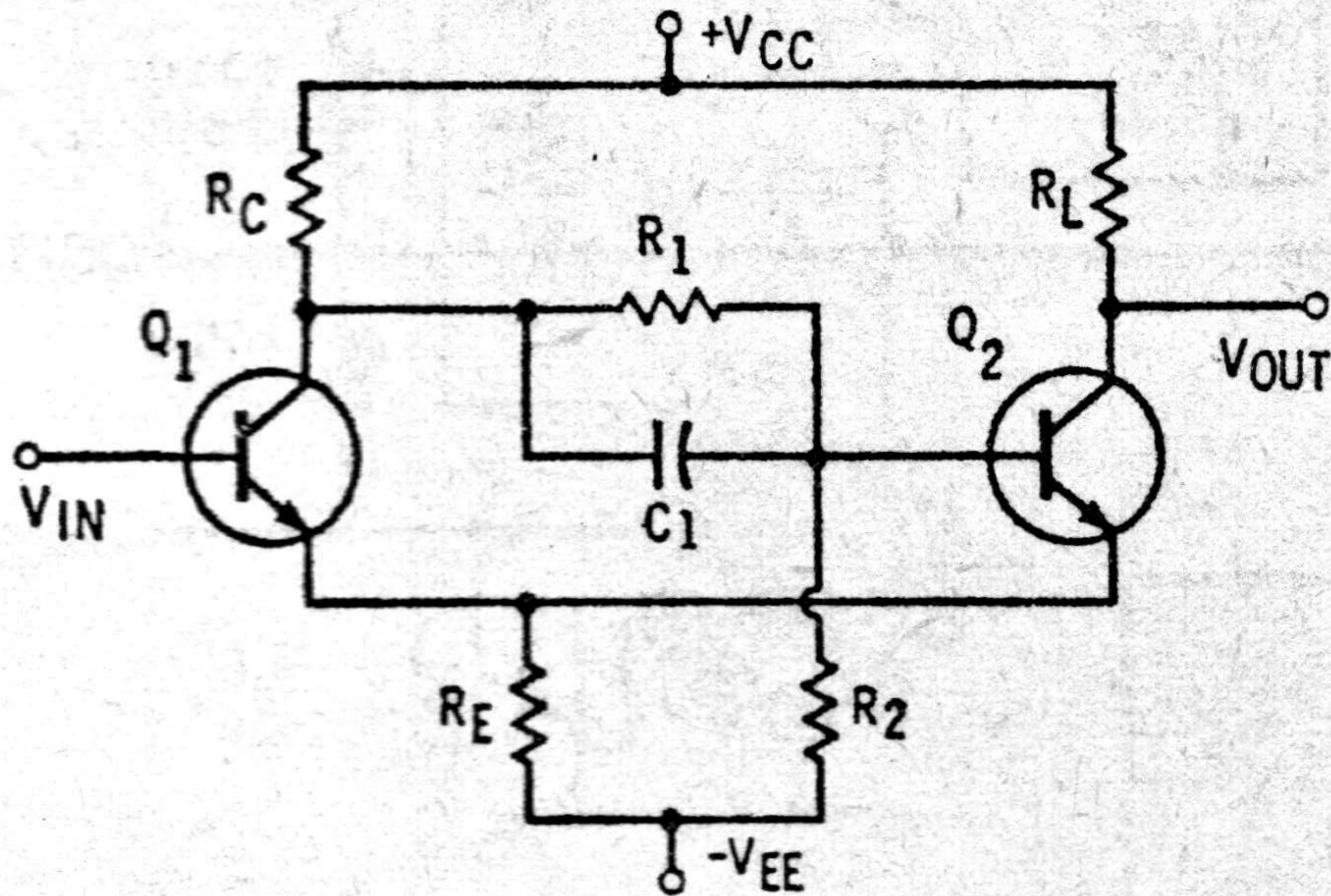


Schmitt trigger—Also called Schmitt limiter. A bistable pulse generator in which an output pulse of constant amplitude exists only



Schmitt trigger.

as long as the input voltage exceeds a certain dc value. The circuit can convert a slowly changing input waveform to an output waveform with sharp transitions. Normally, there is hysteresis between an upper and a lower triggering level.

〔第8図〕

シュミット回路